

# BULK MILK COOLERS



**Series I - 100, 200 & 300 litres**



**Series II - 400 & 500 litres**

## **TANK**

- AISI 304 stainless steel inner vessel and outer casing
- angled bottom ensures complete emptying
- thick insulation made of environmentally safe polyurethane foam (no CFCs)
- internal ball seal for emptying
- DN 50 threaded outlet with plastic cap

## **REFRIGERATING PLANT**

- no freezing of milk, even at low filling
- direct expansion
- R22 coolant for all units
- compact shape makes installation easy

## **ELECTRIC PLANT**

- \* ENCON milk controller has the foll. functions
  - + milk temperature control
  - + milk temperature digital display
  - + agitation program
- \* power cable with standard (male) plug
- \* electrical supply: single-phase 220 Volt 50 Hz

Exported by:

**ENCON** Consulting Engineers

M-28, 7th Floor, Marigold,

Krishnakeval Township,

Kondhwa Khurd,

Pune 411048-INDIA.

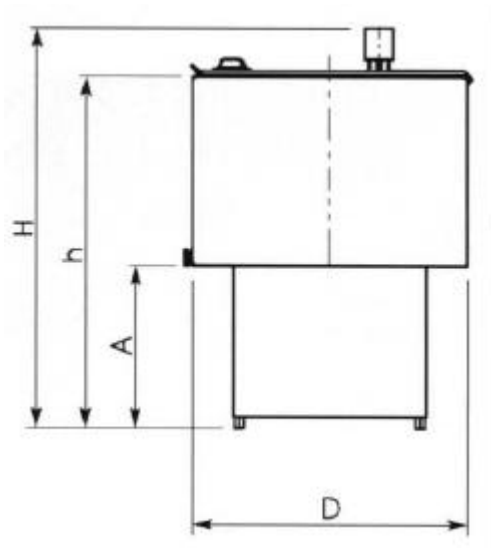
Tel/Fax: +91 20 26831210

Cell Phone: +91 94 22 00 2758

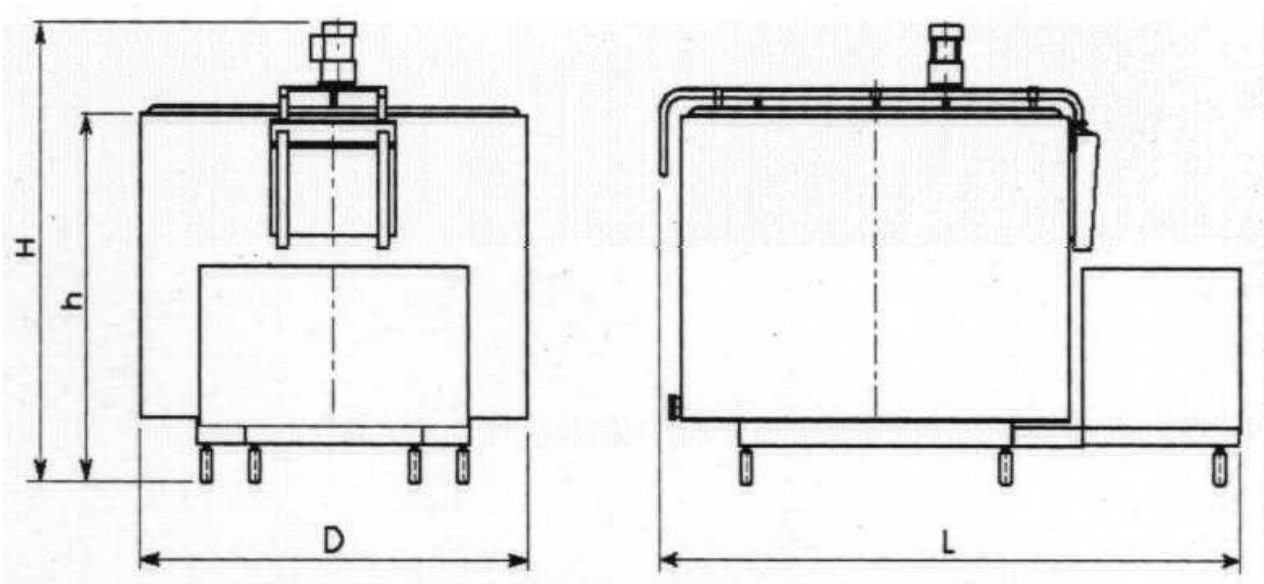


Email: [encon@vsnl.com](mailto:encon@vsnl.com) / [enconindia@hotmail.com](mailto:enconindia@hotmail.com)

# TECHNICAL FEATURES



**Series I - 100, 200 & 300 liters**



**Series II - 400 & 500 liters**

CAPACITY	MODEL	POWER	APPROX.WT (Kg)	DIMENSIONS			
				D	H	L	A
	(M = Milking)						
100 Lt.	1 x 100 x 2M	1/220 x 0.25 HP	50	580	1110	885	315
200 Lt.	1 x 200 x 2M	1/220 x 0.50 HP	80	750	1180	1030	390
300 Lt.	1 x 300 x 2M	1/220 x 1.00 HP	130	923	1390	1120	405
400 Lt.	4 x 400 x 2M	1/220 x 1.20 HP	200	1960	1218	1125	895
500 Lt.	4 x 500 x 2 M	1/220 x 1.75 HP	210	1960	1218	1125	895

Under the policy of continuous development Specifications & dimensions mentioned here under are subject to change without notice.

Exported by:

**ENCON** Consulting Engineers

M-28, 7th Floor, Marigold,

Krishnakeval Township,

Kondhwa Khurd,

Pune 411048-INDIA.

Tel/Fax: +91 20 26831210

Cell Phone: +91 94 22 00 2758

Email: [encon@vsnl.com](mailto:encon@vsnl.com) / [enconindia@hotmail.com](mailto:enconindia@hotmail.com)