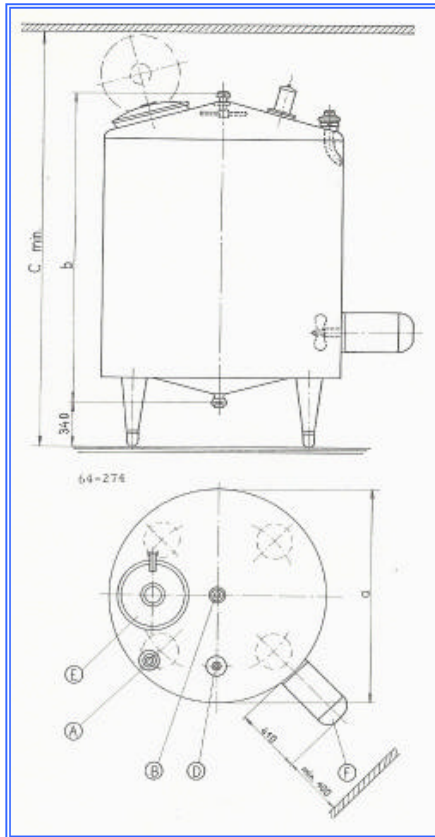


Stainless Steel Milk Storage Tanks Plain / Insulated



	Litres	1000	1500	2000	3000	4000	5000	6000	7000	8500	10000	12000	15000	20000
Without insulation	a	1115	1115	1275	1433	1594	1753	1753	1912	2071	2230	2230	2391	2550
	b	1400	1900	1940	2285	2530	2570	2970	3010	3055	3195	3695	4070	4610
	c	2235	2735	2765	3085	3305	3325	3725	3750	3770	3890	4390	4745	5265
50 mm insulation	a	1220	1220	1380	1538	1700	1858	1858	2017	2175	2335	2335	2500	2660
	b	1510	2010	2050	2395	2640	2680	3080	3120	3165	3305	3805	4180	4720
	c	2345	2845	2875	3195	3415	3435	3835	3860	3880	4000	4500	4855	5375
100 mm insulation	a	1320	1320	1480	1638	1800	1958	1958	2117	2275	2435	2435	2600	2760
	b	1610	2110	2150	2495	2740	2780	3180	3220	3265	3405	3905	4280	4820
	c	2445	2945	2975	3295	3515	3535	3935	3960	3980	4100	4600	4955	5475
50 mm insulation and cooling jacket	a	1320	1320	1480	1638	1800	1958	1958	2117	2275	2435	2435	2600	2760
	b	1510	2010	2050	2395	2640	2680	3080	3120	3165	3305	3805	4180	4720
	c	2345	2845	2875	3195	3415	3435	3835	3860	3880	4000	4500	4855	5375
100 mm insulation and cooling jacket	a	1420	1420	1580	1738	1900	2058	2058	2217	2375	2535	2535	2700	2860
	b	1610	2110	2150	2495	2740	2780	3180	3220	3265	3405	3905	4280	4820
	c	2445	2945	2975	3295	3515	3535	3935	3960	3980	4100	4600	4955	5475

Measurements in mm.

Engineered & Exported by:

ENCON Consulting Engineers
M-28, 7th Floor, Marigold,
Krishnakeval Township,
Kondhwa Khurd,
Pune 411048-INDIA.
Tel/Fax: +91 20 26831210
Cell Phone: +91 94 22 00 2758



Email: encon@vsnl.com / enconindia@hotmail.com