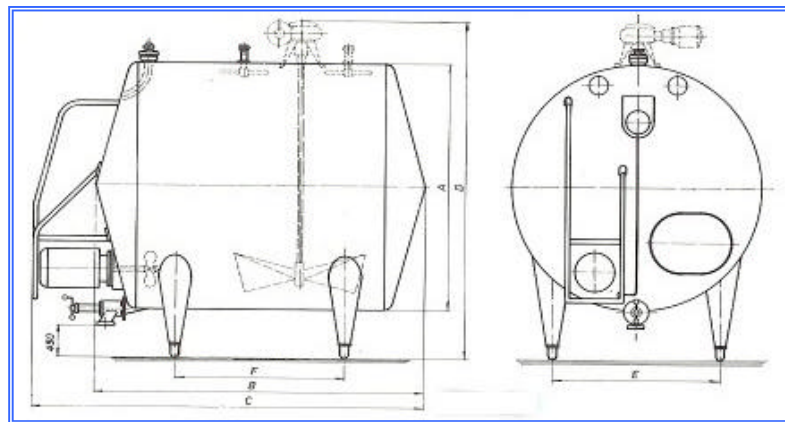


Stainless Steel Milk Storage Tanks Plain / Insulated



Litres.	A	B	C	D	E	F
1000	1115	1315	1825	1955	650	555
1500	1115	1815	2325	1955	650	775
2000	1275	1860	2350	2115	800	860
3000	1434	2152	2620	2274	950	1000
4000	1595	2446	2795	2435	1000	1200
5000	1753	2488	2915	2693	1150	1200
6000	1753	2888	3315	2693	1150	1300
7000	1913	2930	3335	2753	1250	1300
8500	2072	2974	3360	2912	1350	1400
10000	2230	3116	3480	3070	1500	1600
12000	2230	3616	3980	3080	1500	2100
15000	2390	3990	4330	3240	1600	2300
20000	2550	4532	4850	3400	1700	2750

50 mm insulation.

Litres.	A	B	C	D	E	F
1000	1222	1425	1935	2010	650	555
1500	1222	1925	2435	2010	650	775
2000	1382	1970	2460	2170	800	860
3000	1540	2260	2730	2325	950	1000
4000	1700	2557	2905	2490	1000	1200
5000	1860	2597	3025	2745	1150	1200
6000	1860	2997	3425	2745	1150	1300
7000	2020	3040	3445	2805	1250	1300
8500	2178	3085	3470	2965	1350	1400
10000	2337	3227	3590	3125	1500	1600
12000	2337	3727	4090	3135	1500	2100
15000	2497	4100	4440	3295	1600	2300
20000	2658	4642	4960	3455	1700	2750

100 mm insulation.

Litres.	A	B	C	D	E	F
1000	1320	1530	2040	2060	650	555
1500	1320	2030	2540	2060	650	775
2000	1480	2075	2565	2220	800	860
3000	1640	2365	2835	2375	950	1000
4000	1800	2660	3010	2540	1000	1200
5000	1960	2700	3130	2795	1150	1200
6000	1960	3100	3530	2795	1150	1300
7000	2120	3145	3550	2855	1250	1300
8500	2278	3190	3575	3015	1350	1400
10000	2437	3330	3695	3175	1500	1600
12000	2437	3830	4195	3185	1500	2100
15000	2597	4205	4545	3345	1600	2300
20000	2758	4745	5065	3505	1700	2750

Cooling jacket and 50 mm insulation.

Litres.	A	B	C	D	E	F
1000	1320	1425	1935	2060	650	555
1500	1320	1925	2435	2060	650	775
2000	1480	1970	2460	2220	800	860
3000	1640	2260	2730	2375	950	1000
4000	1800	2557	2905	2540	1000	1200
5000	1960	2597	3025	2795	1150	1200
6000	1960	2997	3425	2795	1150	1300
7000	2120	3040	3445	2855	1250	1300
8500	2278	3085	3470	3015	1350	1400
10000	2437	3227	3590	3175	1500	1600
12000	2437	3727	4090	3185	1500	2100
15000	2597	4100	4440	3345	1600	2300
20000	2758	4642	4960	3505	1700	2750

Measurements in mm.

Engineered & Exported by:

ENCON Consulting Engineers

M-28, 7th Floor, Marigold,
Krishnakeval Township,
Kondhwa Khurd,
Pune 411048-INDIA.

Tel/Fax: +91 20 26831210
Cell Phone: +91 94 22 00 2758



Email: encon@vsnl.com / enconindia@hotmail.com