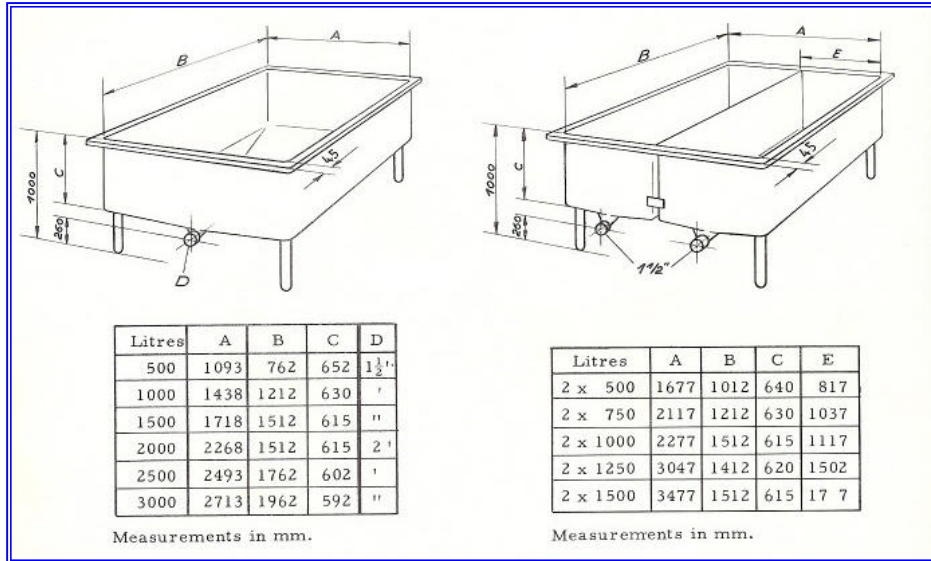
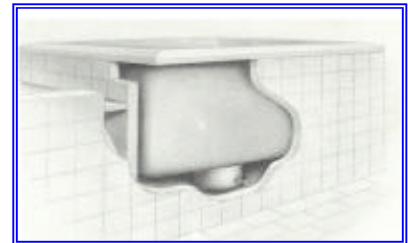
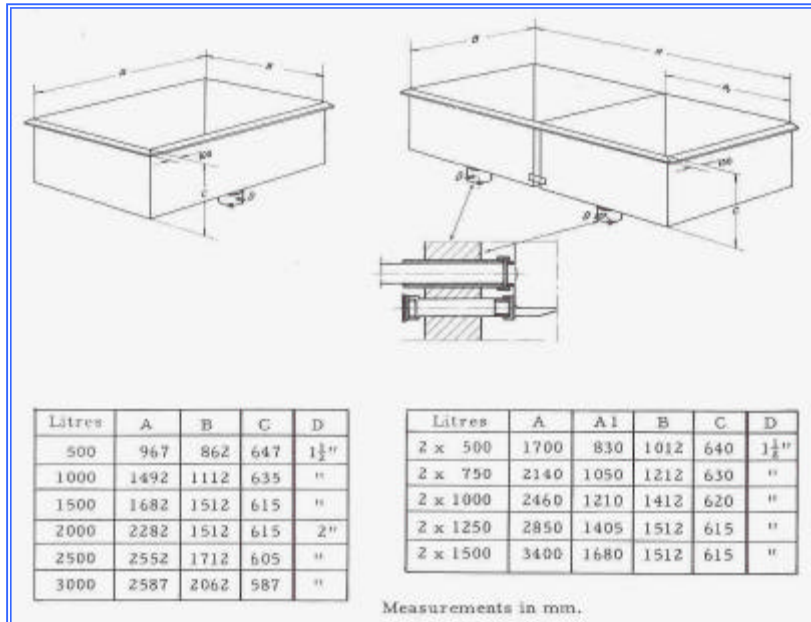


## Stainless Steel Milk Vats / Dump Tanks for Dairy Industries

Type: Stand Alone / Above Ground.



Type: Floor Mounted / Under Ground.



### Specifications / Features:

- 1) Fabricated from Stainless Steel AISI-304 (std.) - Optional AISI-316.
- 2) Fine ground inside and outside to 120 grit dairy hygiene standards.
- 3) All corners are crevasses free and well radiuses.
- 4) Bottom is pitched towards outlet for speed-up drainage of milk.
- 5) Optional capacity scale inside for ease of milk quantity control.
- 6) Vat available with two compartment and sand trap (optional).

Engineered & Exported by:

**ENCON** Consulting Engineers

M-28, 7th Floor, Marigold,  
Krishnakeval Township,  
Kondhwa Khurd,  
Pune 411048-INDIA.

Tel/Fax: +91 20 26831210

Cell Phone: +91 94 22 00 2758



Email: [encon@vsnl.com](mailto:encon@vsnl.com) / [enconindia@hotmail.com](mailto:enconindia@hotmail.com)