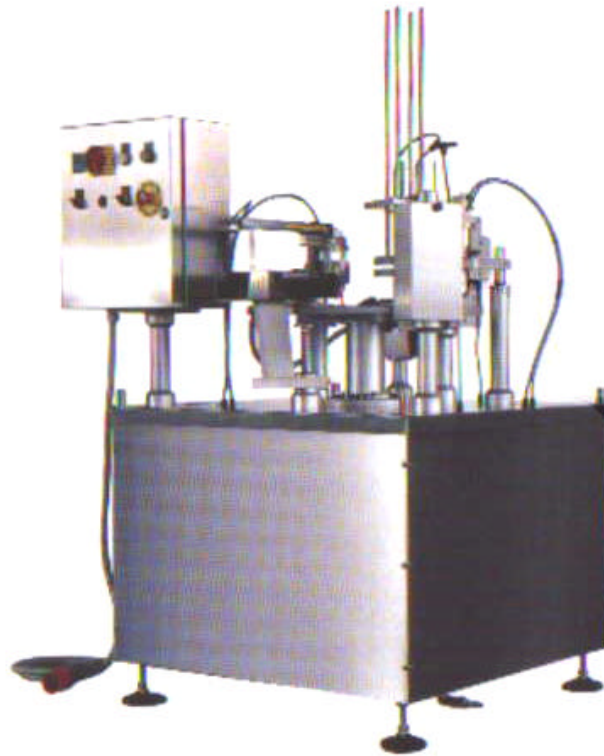


YOGHURT FILLING MACHINE



Fills, Seals and Caps.
Yoghurt, Juices
Personal Care Products
Pieces Fruit, Dry Ingredient
Cheese, Butter Pudding, Jelly
Honey.

Capacity: 2000 or 4000 Cups per Hour.
Container Size: Max. 95 Dia.
Filling Qnty: 50 to 500 CC
Dimensions: 1000 x 1300 x 1800 (app.)

Engineered & Exported by:

ENCON Consulting Engineers

M-28, 7th Floor, Marigold,

Krishnakeval Township,

Kondhwa Khurd,

Pune 411048-INDIA.

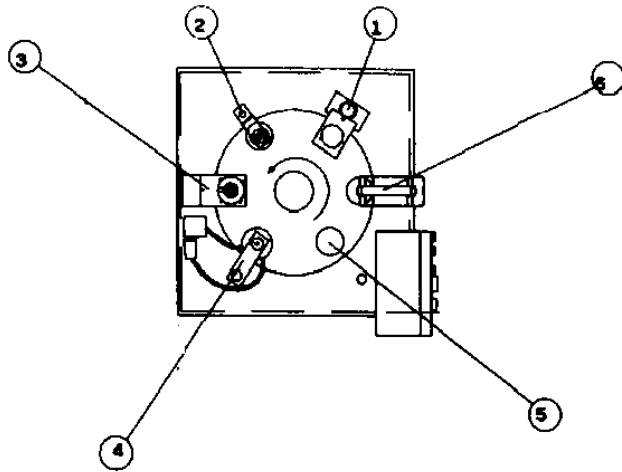
Tel/Fax: +91 20 26831210

Cell Phone: +91 94 22 00 2758

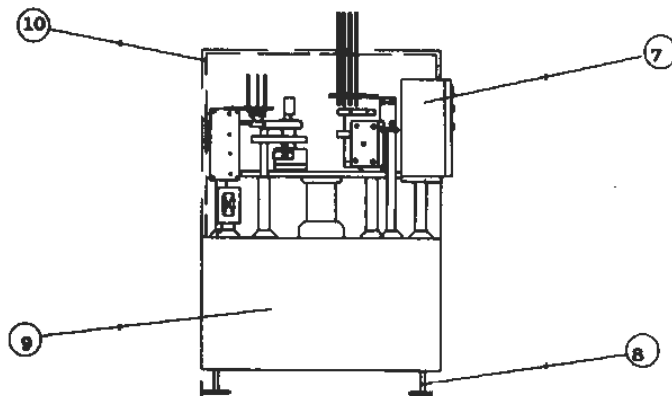


Email: encon@vsnl.com / enconindia@hotmail.com

TECHNICAL DETAILS



1. CONTAINER DISPENSER
2. PNEUMATIC FILLER
3. LID DISPENSER
4. HEAT SEAL UNIT
5. FREE STATION
6. CONTAINER EJECTION



7. CONTROL PANEL
8. LEVELLING LEGS
9. BASE FRAME
10. SAFETY GAURD

Optional Equipment:

- 1) Snap on Cover Cap.
- 2) Container Size Change Kit
- 3) Special Electrical requirement.
- 4) Advanced Cleaning requirement.
- 5) Conveying Belt.
- 6) Working Tables.
- 7) Special Process Requirement.
- 8) Accessories.

Engineered & Exported by:

ENCON Consulting Engineers

M-28, 7th Floor, Marigold,
Krishnakeval Township,
Kondhwa Khurd,
Pune 411048-INDIA.

Tel/Fax: +91 20 26831210

Cell Phone: +91 94 22 00 2758



Email: encon@vsnl.com / enconindia@hotmail.com