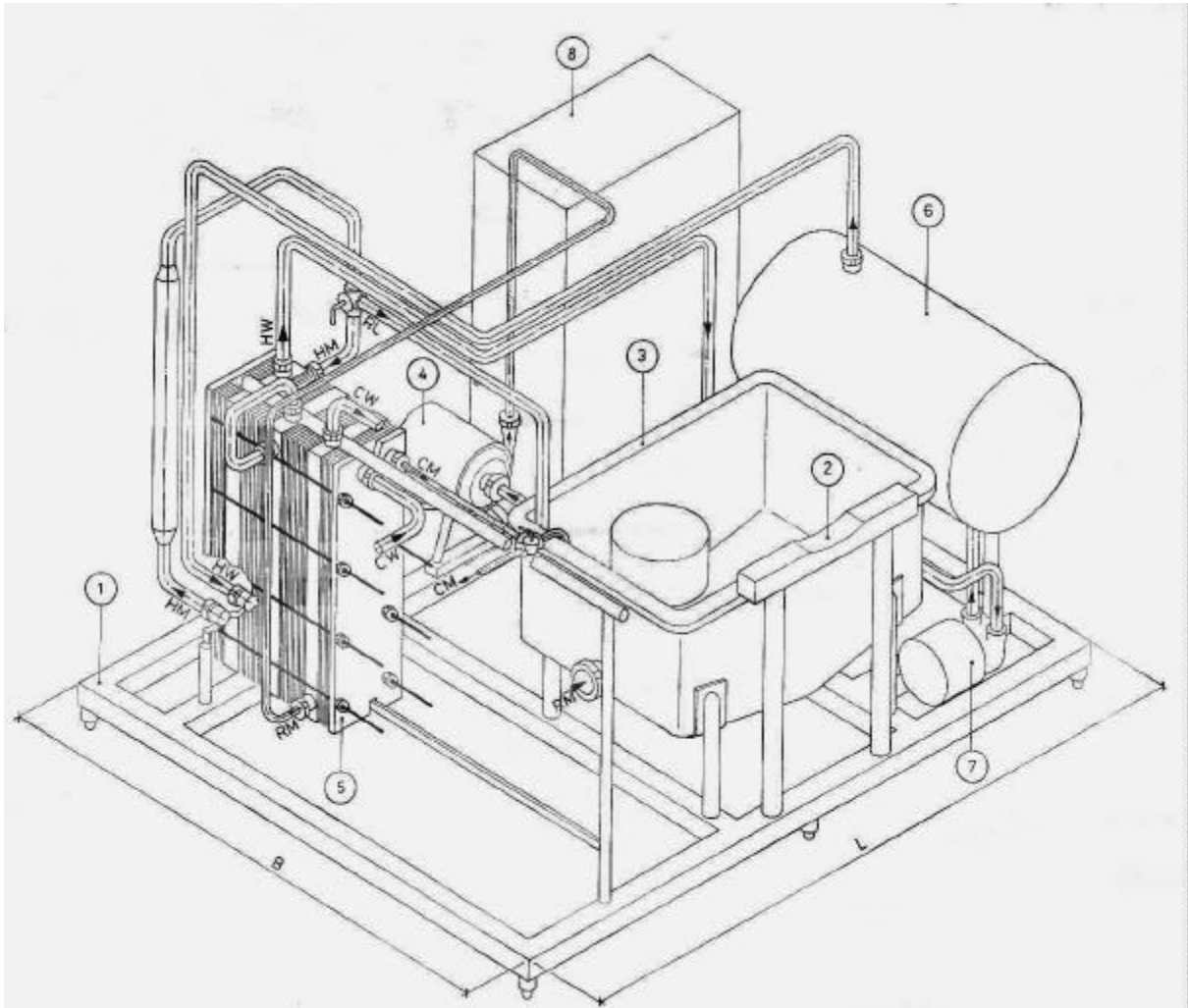


## SKID MOUNTED PASTEURIZATION PLANT



- |                    |                        |
|--------------------|------------------------|
| 1. PLATFORM        | 5. MILK PASTEURISER    |
| 2. CAN-TIPPING BAR | 6. HOT WATER GENERATOR |
| 3. DUMP TANK       | 7. HOT WATER PUMP      |
| 4. MILK PUMP       | 8. CONTROL PANEL       |

RM - RAW MILK  
HM - HOT MILK  
CM - CHILLED MILK

HW - HOT WATER  
CW - COLD WATER  
RL - RETURN LINE

OVERALL DIMENSIONS - L : 2100 mm  
(for 1000 LPH Unit) B : 1700 mm  
H : 2000 mm

Exported by:

**ENCON** Consulting Engineers

M-28, 7th Floor, Marigold,  
Krishnakeval Township,

Kondhwa Khurd,  
Pune 411048-INDIA.

Tel/Fax: +91 20 26831210

Cell Phone: +91 94 22 00 2758



Email: [encon@vsnl.com](mailto:encon@vsnl.com) / [enconindia@hotmail.com](mailto:enconindia@hotmail.com)